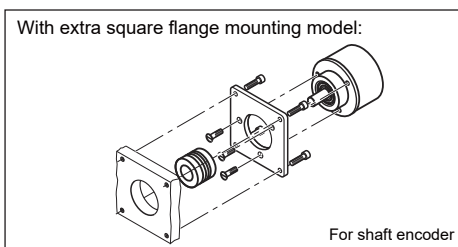
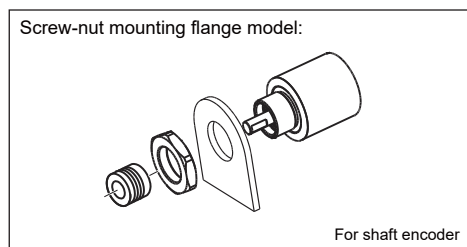
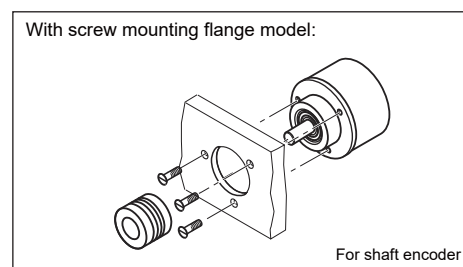
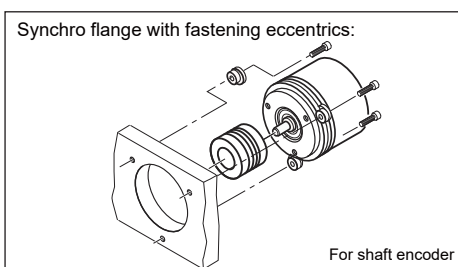
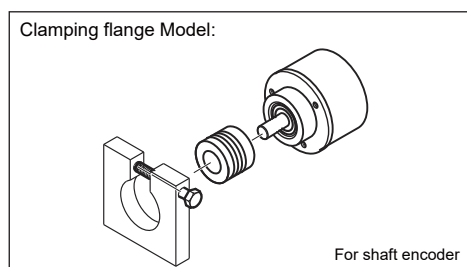


	Mit stecker, With connector: -40 °C ... +85 °C Mit kabel, with cable: -20 °C ... +80 °C 1Vss (1Vpp): -10 °C ... +70 °C		-40 °C...+90 °C
<p>! Montage nur qualifiziertes Personal / Assembly only qualified personnel, Sicherheitsmassnahmen / safety instructions: Die Produkte dürfen nur in industrieller Umgebung und im NICHT sicherheitsrelevanten Bereich eingesetzt werden. / The products are only designed and produced for use in industrial environments and NOT for use in safety related applications.</p>			
	DIN EN 100015-1		

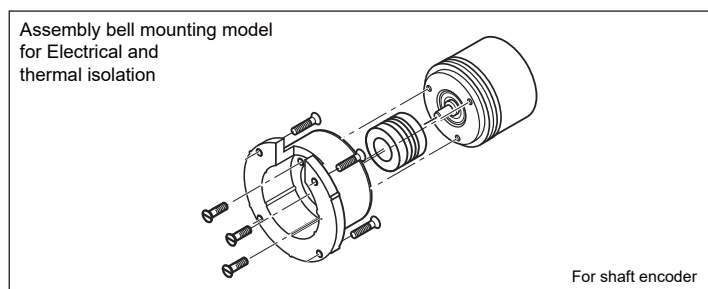
Kabel ø cable	R1	R2	Temperatur Temperature
≤ 7 mm > 7 mm	31,5 mm 41,5 mm	94,5 mm 124,5 mm	T > -20 °C (-4 °F) T > -20 °C (-4 °F)
≤ 7 mm > 7 mm	46,5 mm 62,3 mm	139,5 mm 186,9 mm	T > -40 °C (-40 °F) T > -40 °C (-40 °F)



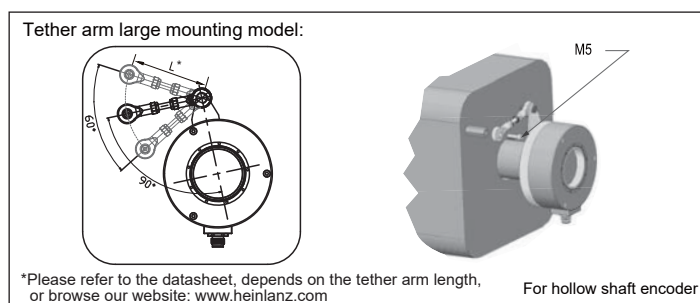
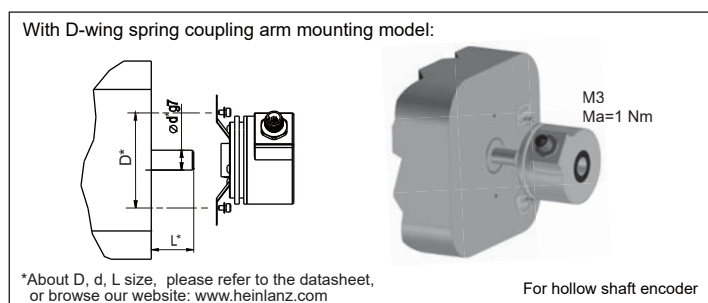
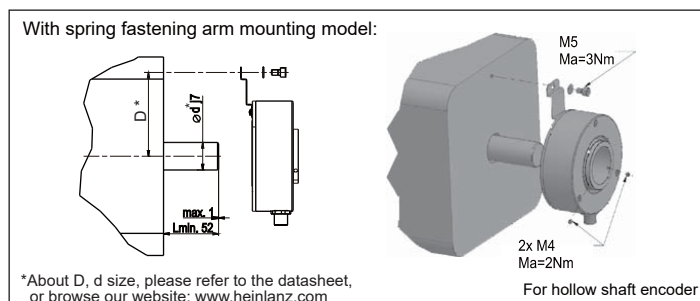
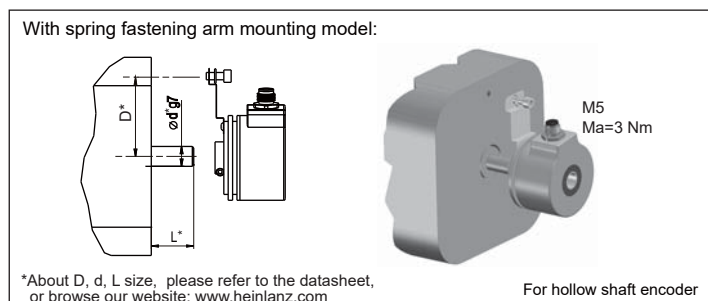
!

– Drehgeber und Antriebsgerät nicht an Wellen und Flanschen starr miteinander verbinden. Benutzen Sie grundsätzlich eine Kupplung.

– Do not connect encoder and drive rigidly to one another at shafts and flanges. Always use a coupling .

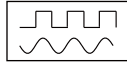


Gewinde Screw thread	Empfohlenes Anzugsdrehmoment Recommended starting torque
M3	1 Nm
M4	2 Nm
M5	3 Nm
M6	6 Nm
Mutter, Screw nut, M20x1,5	8 Nm



Note: Other mounting model, please contact us by phone or email.

→ More to back side



Terminal assignment / Anschlussbelegung :

	Output circuit	L* _{max}
	Sin/Cos	150m
	Push-pull (without inverted signal)	100m
	Push-pull (with inverted signal)	250m
	Push-pull (with inverted signal)(7272)	100m
	RS422 (with inverted signal)	Max.1000m

* Theoretical values, factual values depend on specific conditions.

Connect type	SIN/COS						
	cable		M 12		M 16	M 23	
Signal channels	A, B, Z, \bar{A} , \bar{B} , \bar{Z}						
Core or Pin			8-pin		12-pin	12-pin	
View of mating side							
Series	11-58XX; 11-80HN; 11-A0HN;	11-59XX	11-58XX; 11-80HN; 11-A0HN;	11-59XX	11-58XX; 11-80HN; 11-A0HN;	11-58XX; 11-80HN; 11-A0HN;	11-59XX
the Output Code ¹⁾ :	6	6	6	6	6	6	6
GND	WH	BK	1	1	K, L	10	1
+UB	BN	RD	2	2	M, B	12	2
A	GN	GN	3	4	E	5	4
B	GY	YE	5	3	H	8	3
Z	-	GY	-	7	-	-	7
A inv.	YE	BU	4	6	F*	6	6
B inv.	PK	BN	6	5	A*	1	5
Z inv.	-	OG	-	8	-	-	8
Light reserve warning ²⁾	-	-	-	-	-	-	-
Shield	Shell	Shell	Shell	Shell	Shell	Shell	Shell

Terminal assignment / Anschlussbelegung :

Connect type	Square-wave												
	cable					M 12		M 16					M 23
Signal channels	A, B, Z, \bar{A} , \bar{B} , \bar{Z} or A, B, Z					A, B, Z, \bar{A} , \bar{B} , \bar{Z} or A, B, Z		A, B, Z, \bar{A} , \bar{B} , \bar{Z} or A, B, Z					A, B, Z, \bar{A} , \bar{B} , \bar{Z} or A, B, Z
Core or Pin						8-pin		5-pin	6-pin	7-pin	8-pin	12-pin	12-pin
View of mating side													
Series	11-24XN; 11-36XN; M11-36XN	11-40XN; 11-50XN; 11-58XX; 11-80HN; 11-A0HN; 11-E5HN	11-59XN	11-24XN; 11-36XN;	11-59XN	11-36XN; 11-59XN	11-40XN; 11-50XN; 11-58XX; 11-80HN; 11-A0HN; 11-E5HN; M11-36XN	11-58XX; 11-80HN; 11-A0HN; 11-E5HN;					11-40XN; 11-50XN; 11-58XX; 11-59XN; 11-80HN; 11-A0HN; 11-E5HN; M11-36XN
the Output Code ¹⁾ :	1, 2, 4, 5	1, 2, 3, 4, 5	1,2,4,5	3	3	1, 2, 3, 4, 5	1, 2, 3, 4, 5	3	3	3	1, 2, 3, 4, 5	1, 2, 3, 4, 5	1, 2, 3, 4, 5
GND	WH	WH	BK	WH	YE	1	1	1	6	1	2	K, L	10
+UB	BN	BN	RD	BN	WH	2	2	2	1	2	3	M, B	12
A	GN	GN	YE	GN	BN	3	3	3	2	3	4	E	5
B	GY	YE	GN	YE	GN	4	4	4	4	4	5	H	8
Z	BU	GY	GY	GY	GY	7	5	5	3	5	5	C	3
A inv.	YE	RD *	BN	-	-	5*	6*				6*	F*	6*
B inv.	PK	BK *	BU	-	-	6*	7*				7*	A*	1*
Z inv.	RD	VT *	OG	-	-	8*	8*				8*	D*	4*
Light reserve warning ²⁾		PK ²⁾	-	-	-	-	-	-	5 ²⁾	6 ²⁾	G ²⁾	-	11 ²⁾
Shield	Shell	Shell	Shell	Shell	Shell	Shell	Shell	Shell	Shell	Shell	Shell	Shell	Shell

* Invalid for the output code 3

1) Please refer to the order code ("Output circuit / Power supply ") in the product datasheet or please refer to the encoder label.

2) Early-warning output.

Please contact technical support :

Tel: +49 (0) 761 3841 3864; E-mail: service.de@heinlanz.com for Europe

Tel: +86 22 2834 3526; E-mail: service.china@heinlanz.com for Asia

Tel: +1-403-2520535; E-mail: north.america@heinlanz.com for America



Encoder label

1552

Hein Lanz GmbH

Tel: +49 (0) 761 3841 3864

Fax: +49 (0) 761 3841 3865

E-mail: service@heinlanz.com

Website: http://www.heinlanz.com